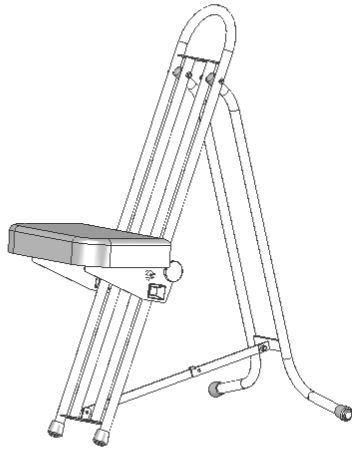


STARBOUND VIEWING CHAIR

Assembly Instructions



Please use care when removing and assembling the seat so as to not damage the vinyl covering.

Remove the (4) four bolts on the backside of the seat (Fig 1.).

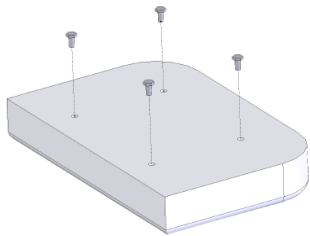


Figure 1

Figure 2

Place the steel frame, containing the bumpers, on the back side of seat. (Fig 2.) Align the holes in the steel frame with the holes on the backside of the seat and replace the (4) four bolts. Use a 7/16" wrench to snug down. **DO NOT OVERTIGHTEN BOLTS.**

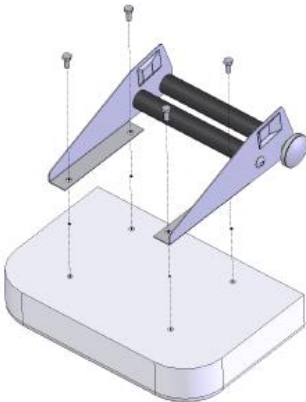


Figure 2

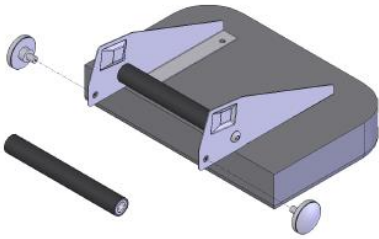


Figure 3

With the seat resting on a flat surface, grasp the rear bumper on the back of the seat and remove the (2) two knobs from the brackets. This will allow the rear bumper to be removed from the seat assembly (Fig 3.).

Open the chair as shown (Fig 4.). Install the seat as shown and replace the rear bumper. Re-install the (2) two knobs and hand tighten only. DO NOT USE WRENCHES.

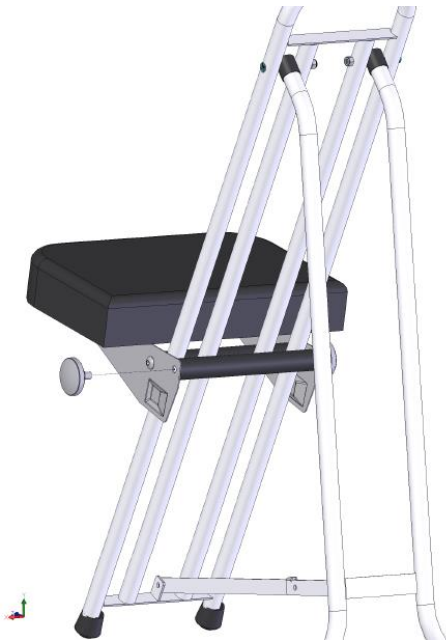


Figure 4

Lock the “Spanner Bar” in the downward position. This will prevent the chair from folding up when sat upon.

Do not sit in the chair without the rear bumper secured in place with the locking knobs!!.

Do not adjust seat up or down while seated!!

Maximum Capacity = 350 lbs

The Viewing Chair also works well at the office desk or wherever adjustable seating height is desired.

Thank you for purchasing the *StarBound Viewing Chair*.

StarBound, Div. of Dimar Manufacturing Inc. • 10123 Main Street • Clarence, NY 14031 • 716-759-0351